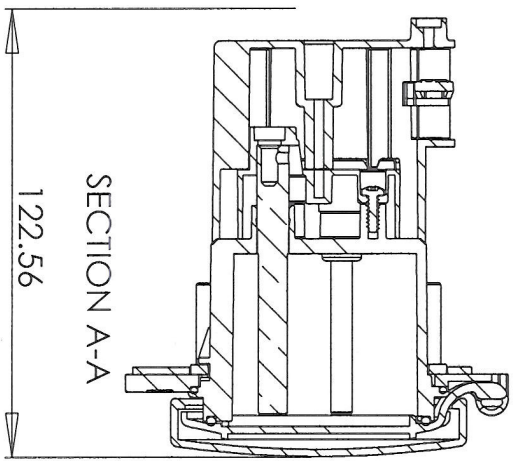
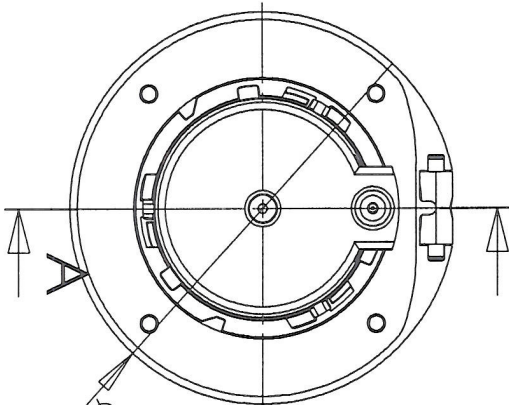
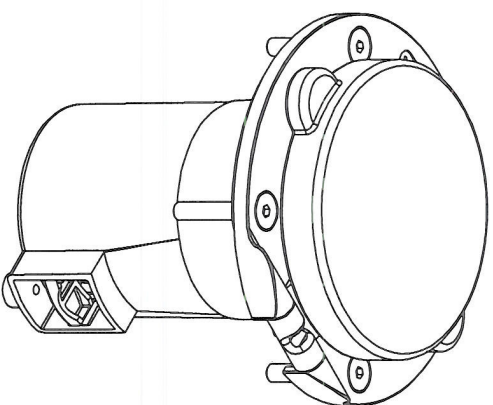
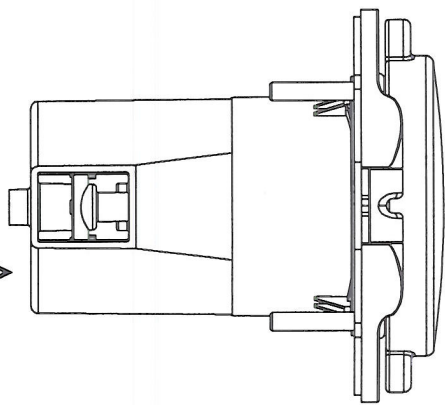
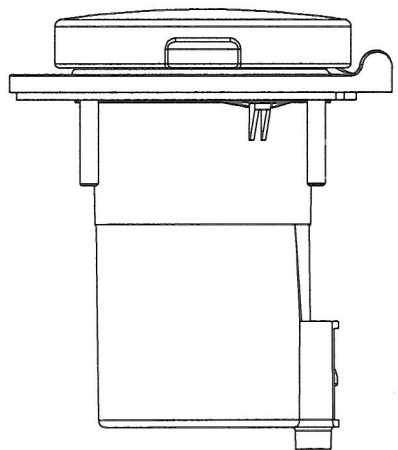
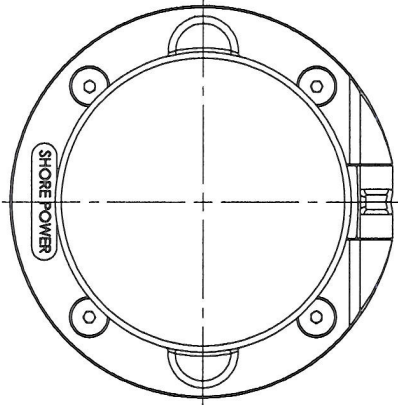


THE INFORMATION CONTAINED IN THIS DRAWING IS THE SOLE PROPERTY OF NOEST productdevelopment. ANY REPRODUCTION IN PART OR WHOLE WITHOUT THE WRITTEN PERMISSION OF NOEST productdevelopment IS PROHIBITED.

**PRODUCTION**  
(3d-file leading)



UNLESS OTHERWISE SPECIFIED  
DIMENSIONS ARE IN MM  
TOLERANCES ARE ACCORDING:  
**DIN 16901**

CAD GENERATED DRAWING  
DO NOT MANUALLY UPDATE



VOLUME: ..

APPROVALS

MATERIAL: ..

DRAWN 3DE DATE 6/29/2007

FINISH: ..

CHECKED ..

DO NOT SCALE DRAWING

NOTES:

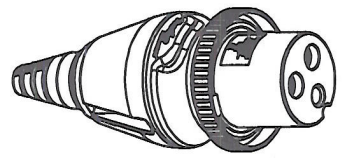
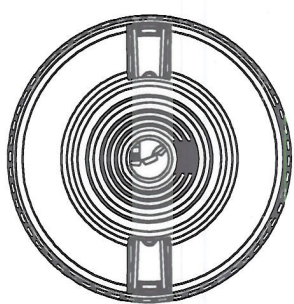
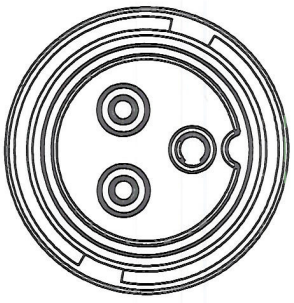
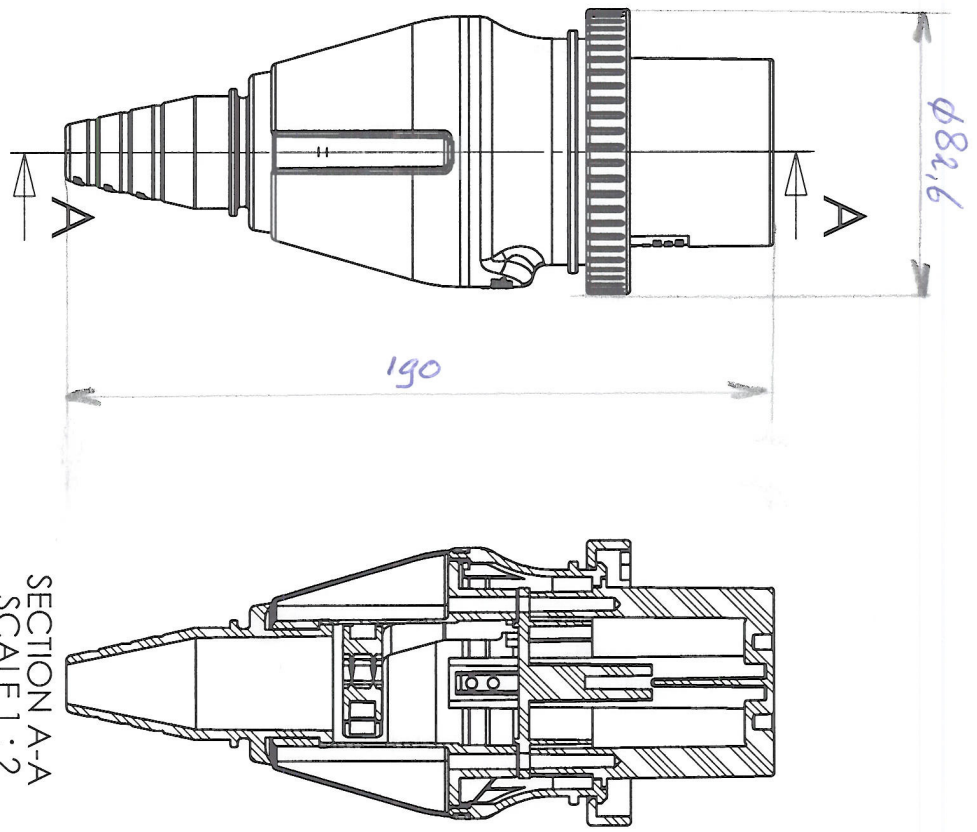
**MP32-10(inlet-assembly)**

CLIENT: ..  
SIZE DWG. NO. **MP32-10**

SCALE 1:2 cad file:MP32-10(inlet-assembly) SHEET 2 OF 4

THE INFORMATION CONTAINED IN THIS DRAWING IS THE SOLE PROPERTY OF NOEST productdevelopment. ANY REPRODUCTION IN PART OR WHOLE WITHOUT THE WRITTEN PERMISSION OF NOEST productdevelopment IS PROHIBITED

**PRODUCTION**  
(3d-file leading)



UNLESS OTHERWISE SPECIFIED  
DIMENSIONS ARE IN MILLIMETERS  
TOLERANCES ARE ACCORDING:  
**DIN 16901**

VOLUME: --

MATERIAL: --

FINISH: --

DO NOT SCALE DRAWING

CAD GENERATED DRAWING,  
DO NOT MANUALLY UPDATE



APPROVALS

DRAWN 3DE DATE 7/5/2007

CHECKED --

NOTES:

MP32-110(plug assembly)

CLIENT: --

SIZE A4  
DWG. NO. MP32-110

SCALE 1:2  
3ds FILE: MP32-110(plug assembly)

REV:

SHEET 2 OF 2